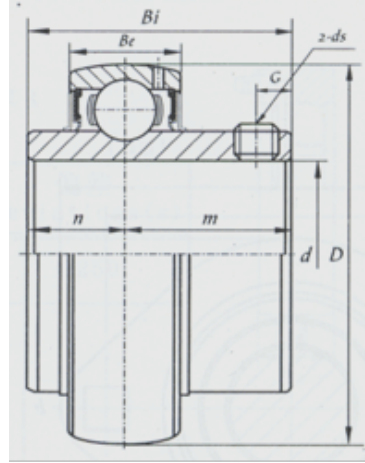


## UC300 Series



Bearing No.	d		Dimensions [mm]							ds
	(mm)	(in.)	D	Bi	Be	n	m	G		
UC305-14	22.225	0.875	62	38	22	15	23	6	1/4-28UNF	
UC305-15	23.813	15/16	62	38	22	15	23	6	1/4-28UNF	
UC305	25		62	38	22	15	23	6	M6x1	
UC305-16	25.4	1	62	38	22	15	23	6	1/4-28UNF	
UC306-18	28.575	1.125	72	43	24	17	26	6	1/4-28UNF	
UC306	30		72	43	24	17	26	6	M6x1	
UC306-19	30.163	1.1875	72	43	24	17	26	6	1/4-28UNF	
UC307-20	31.75	1.25	80	48	26	19	29	8	5/16-24UNF	
UC307-21	33.338	1.3125	80	48	26	19	29	8	5/16-24UNF	
UC307-22	34.925	1.375	80	48	26	19	29	8	5/16-24UNF	
UC307	35		80	48	26	19	29	8	M8x1.0	
UC307-23	36.513	1.4375	80	48	26	19	29	8	5/16-24UNF	
UC308-24	38.1	1.5	90	52	28	19	33	10	3/8-24UNF	
UC308-25	39.688	1.5625	90	52	28	19	33	10	3/8-24UNF	
UC308	40		90	52	28	19	33	10	M10x1.25	
UC309-26	41.275	1.625	100	57	30	22	35	10	3/8-24UNF	
UC309-27	42.863	1.6875	100	57	30	22	35	10	3/8-24UNF	
UC309-28	44.45	1.75	100	57	30	22	35	10	3/8-24UNF	
UC309	45		100	57	30	22	35	10	M10x1.25	
UC310-30	47.625	1.875	110	61	32	22	39	12	1/2-20UNF	
UC310-31	49.213	1.9375	110	61	32	22	39	12	1/2-20UNF	

UC300 Series

UC310	50		110	61	32	22	39	12	M12x1.5
UC311-32	50.8	2	120	66	34	25	41	12	1/2-20UNF
UC311-34	53.975	2.125	120	66	34	25	41	12	1/2-20UNF
UC311	55		120	66	34	25	41	12	M12x1.5
UC311-35	55.563	2.1875	120	66	34	25	41	12	1/2-20UNF
UC312-36	57.15	2 1/4	130	71	36	26	45	12	1/2-20UNF
UC312	60		130	71	36	26	45	12	M12x1.5
UC312-38	60.325	2 3/8	130	71	36	26	45	12	1/2-20UNF
UC312-39	61.913	2 7/16	130	71	36	26	45	12	1/2-20UNF